



Corporate Mission

Focus on research and development, innovation and molding high-quality household goods, become consumer trust home brand.

TAIZHOU ZHINING Household Products Co. , Ltd. was established in 2008, is a research and development, production, sales as one of the innovative enterprise. As one of the leading enterprises in Taizhou's plastic products industry, our company has advanced production equipment and strict quality control system, and is committed to providing high-quality products to our customers.

Brand rankings **No.1**

Shoebox category of Chinese shopping website

Service concept

From the perspective of customers, to solve customer demand pain points, really do customer-centric.

The company is committed to the research and development, production and sales of plastic household goods. And always adhere to the "Quality first, high-quality service" purpose, with high-quality products, good reputation, high-quality service, to provide high-quality household goods to the global family, to meet the aspirations of consumers for quality life.

Shop ranking **No.1**

Shoebox category of Chinese shopping website

Automated production



The company workshop is equipped with modern facilities, warehouses, new input equipment, to complete the semi-automatic to fully automatic industrialization process, plant implementation of 6s management system, to ensure enterprise safety in production, increase production at the same time, let all employees develop good habits, with excellent quality.

Modern facilities for plastic home factory

Intelligent

Automation

All the way

Enterprise development process



Multi-channel business model

In recent years, the company continues to expand the market, in addition to the main e-commerce platform in China, including independent operations, including Tmall, Taobao, jd.com, but also exported to the United States, South Korea, Mexico and other places



DIRECTORY



BT-384
 ● Material: PP
 ● Color: orange/white/brown/black/gray
 ● Product size: 33.5 * 24.5 * 16.5cm
 ● Packing Size: 39.5 * 37.7 * 10cm



BT-394
 ● Material: PP
 ● Color: transparent white box
 ● Product size: 33.5*27*19cm
 ● Packing Size: 39.5 * 37.7 * 10cm



BT-355
 ● Material: PP
 ● Color: transparent white box
 ● Product size: 33.5*27*19cm
 ● Packing Size: 39.5 * 37.7 * 10cm



BT-376
 ● Material: PP
 ● Color: white/black/ transparent
 ● Product size: 33.5*27*19cm
 ● Packing Size: 39.5 * 37.7 * 10cm



BT-386
 ● Material: PP
 ● Color: orange/white/brown/black
 ● Product size: 35.5*26*18.5cm
 ● Packing Size: 44.5*38*10.5cm



BT-387
 ● Material: PP
 ● Color: orange/white/brown/black
 ● Product size: 25.8*33*18.5cm
 ● Packing Size: 51.5*35*6cm



BT-392
 ● Material: PP
 ● Color: transparent white box
 ● Product size: 33.5*27*19cm
 ● Packing Size: 39.5 * 37.7 * 10cm



BT-390
 ● Material: PP
 ● Color: white/brown/black/ transparent
 ● Product size: 34*23*13.5cm
 ● Packing Size: 39.7*38.5*11cm

DIRECTORY



BT-379
 ● Material: PP
 ● Color: white/black/gray/ transparent
 ● Product size: 35.3*25.7*15.1cm
 ● Packing Size: 42.5*38.5*7cm



BT-399
 ● Material: PP
 ● Color: White/grey
 ● Product size: To be determined
 ● Packing Size: To be determined



BT-395
 ● Material: PP
 ● Color: To be determined
 ● Product size: 34.5*32*44cm
 ● Packing Size: To be determined



BT-367
 ● Material: PP
 ● Color: white
 ● Product size: 93.4*39.1*35.6cm
 ● Packing Size: 41*39*35.4 cm



BT-123
 ● Material: PP
 ● Color: transparent
 ● Product size: To be determined
 ● Packing Size: To be determined



BT-502
 ● Material: PP
 ● Color: white/brown/black/ transparent
 ● Product size : To be determined
 ● Packing Size : To be determined



BT-501
 ● Material: PP
 ● Color: White/green/blue/pink
 ● Product size: To be determined
 ● Packing Size: To be determined



BT-505
 ● Material: PP
 ● Color: white
 ● Product size: 44*33*53cm
 ● Packing Size: To be determined

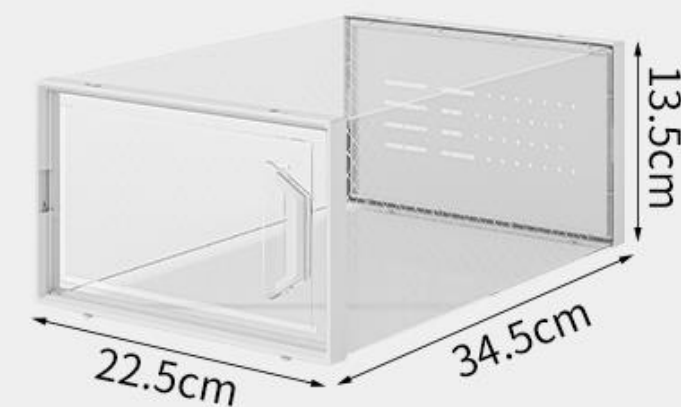
SIDE OPENING LARGE CAPACITY SHOE BOX

ITEM NUMBER:BT-384

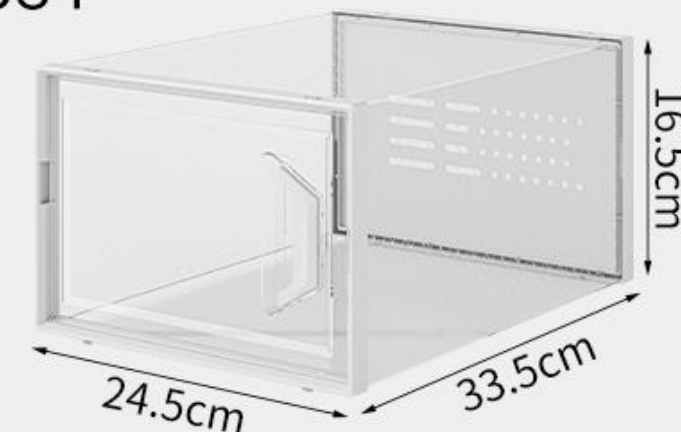


MULTIPLE COLORS AVAILABLE

BT-383



BT-384



TAIZHOU ZHINING TRADE CO., LTD

ADDRESS:NO.31, XINLIU ROAD, XINQIAO TOWN,
LUQIAO DISTRICT, TAIZHOU CITY, ZHEJIANG
PROVINCE, CHINA



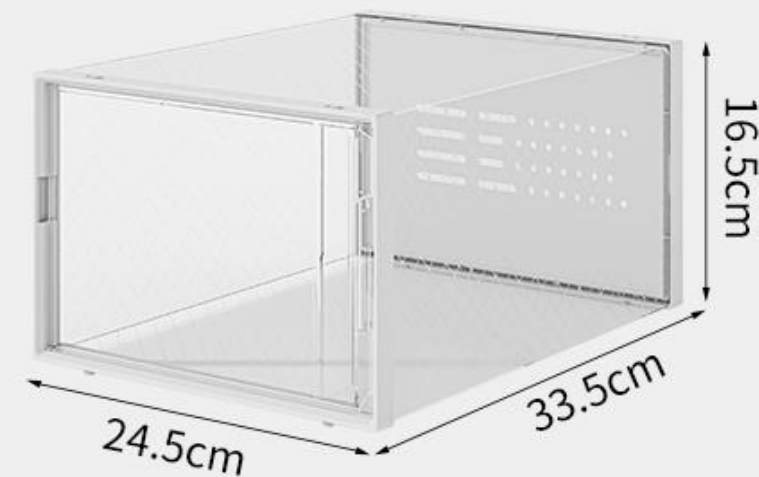
NAME:Cici PHONE: 17857587138
Email: taizhouzhining@163.com

TRANSPARENT SHOE BOX WITH BUILT-IN HANDLE

ITEM NUMBER:BT-392

MULTIPLE COLORS AVAILABLE

BT-392



- WHITE
- BLACK
- ORANGE
- BROWN



TAIZHOU ZHINING TRADE CO., LTD

ADDRESS:NO.31, XINLIU ROAD, XINQIAO TOWN,
LUQIAO DISTRICT, TAIZHOU CITY, ZHEJIANG
PROVINCE, CHINA



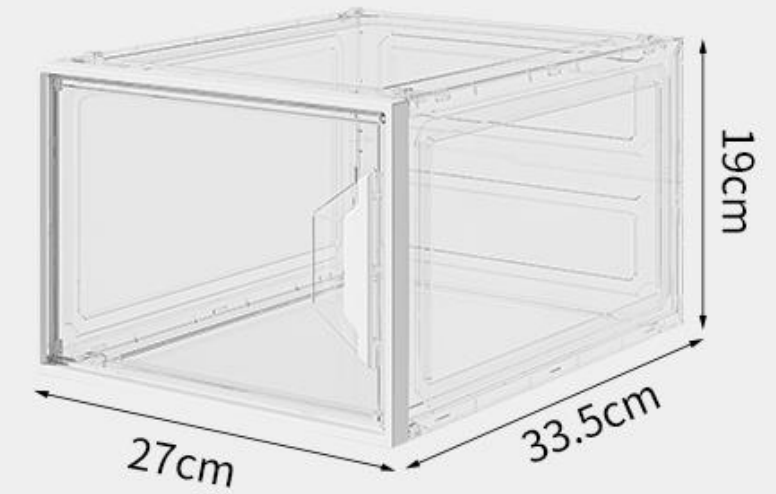
NAME:Cici PHONE: 17857587138
Email: taizhouzhining@163.com

6-SIDED HARD PLASTIC SHOE BOX

ITEM NUMBER:BT-394

MULTIPLE COLORS AVAILABLE

BT-394



● WHITE



TAIZHOU ZHINING TRADE CO., LTD

ADDRESS:NO.31, XINLIU ROAD, XINQIAO TOWN,
LUQIAO DISTRICT, TAIZHOU CITY, ZHEJIANG
PROVINCE, CHINA



NAME:Cici PHONE: 17857587138
Email: taizhouzhining@163.com

NO INSTALLATION OF INTEGRATED FOLDING SHOE CABINET



ITEM NUMBER:BT-505



MULTIPLE COLORS AVAILABLE

BT-505



-  WHITE AND TRANSPARENT
-  WHITE TRANSPARENT GREY

TAIZHOU ZHINING TRADE CO., LTD

ADDRESS:NO.31, XINLIU ROAD, XINQIAO TOWN,
LUQIAO DISTRICT, TAIZHOU CITY, ZHEJIANG
PROVINCE, CHINA



NAME:Cici PHONE: 17857587138
Email: taizhouzhining@163.com

SPACE-SAVING SIMPLE SHOE RACK

ITEM NUMBER:BT-399

MULTIPLE COLORS AVAILABLE

BT-399



WHITE

TAIZHOU ZHINING TRADE CO., LTD

ADDRESS:NO.31, XINLIU ROAD, XINQIAO TOWN,
LUQIAO DISTRICT, TAIZHOU CITY, ZHEJIANG
PROVINCE, CHINA



NAME:Cici PHONE: 17857587138
Email: taizhouzhining@163.com

FOLDABLE LAUNDRY BASKET

ITEM NUMBER: BT-396

MULTIPLE COLORS AVAILABLE

BT-396



- CREAM WHITE
- IVORY WHITE

TAIZHOU ZHINING TRADE CO., LTD

ADDRESS:NO.31, XINLIU ROAD, XINQIAO TOWN,
LUQIAO DISTRICT, TAIZHOU CITY, ZHEJIANG
PROVINCE, CHINA



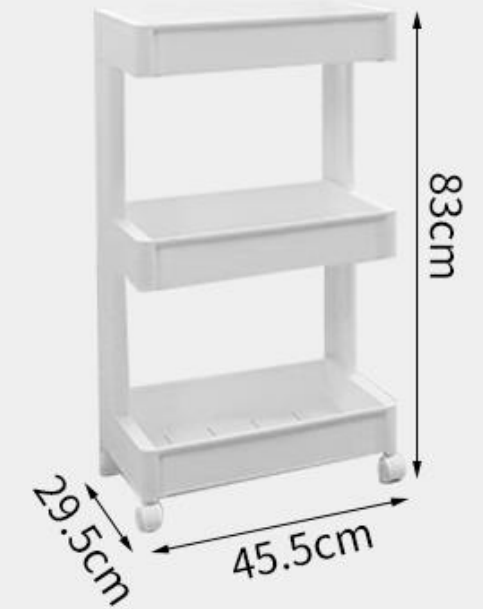
NAME:Cici PHONE: 17857587138
Email: taizhouzhining@163.com

MULTI-LAYER MOVABLE STORAGE RACK

ITEM NUMBER:BT-367

MULTIPLE COLORS AVAILABLE

BT-367



WHITE

TAIZHOU ZHINING TRADE CO., LTD

ADDRESS:NO.31, XINLIU ROAD, XINQIAO TOWN,
LUQIAO DISTRICT, TAIZHOU CITY, ZHEJIANG
PROVINCE, CHINA



NAME:Cici PHONE: 17857587138
Email: taizhouzhining@163.com

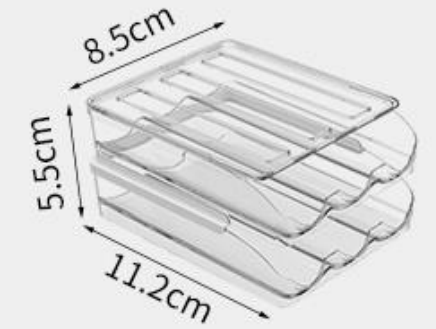
**SELF-ROLLING
EGG CARTON**
ITEM NUMBER:BT-123

MULTIPLE COLORS AVAILABLE

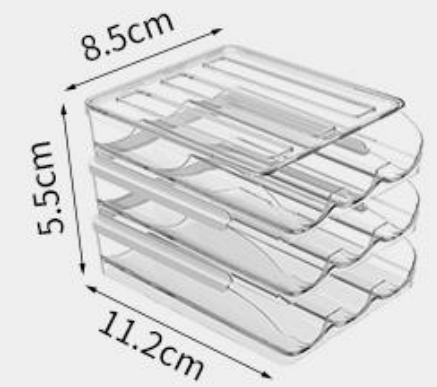
BT-121



BT-122



BT-123



TAIZHOU ZHINING TRADE CO., LTD

ADDRESS:NO.31, XINLIU ROAD, XINQIAO TOWN,
LUQIAO DISTRICT, TAIZHOU CITY, ZHEJIANG
PROVINCE, CHINA



NAME:Cici PHONE: 17857587138
Email: taizhouzhining@163.com

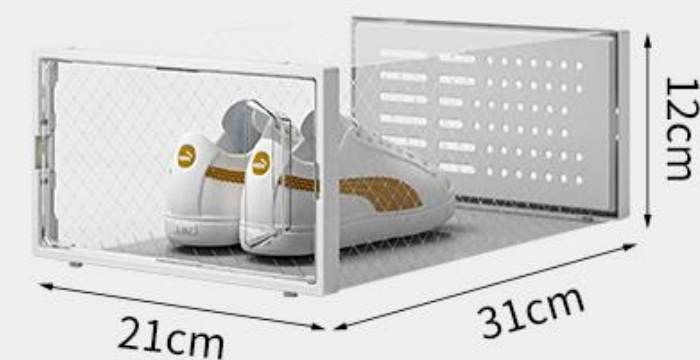
CLEAR HANDLE WITH SHOEBOX INSERT

ITEM NUMBER:BT-390

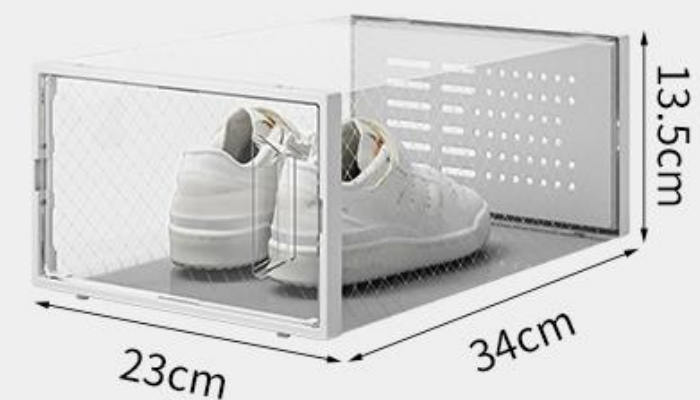


MULTIPLE COLORS AVAILABLE

BT-389



BT-390



TAIZHOU ZHINING TRADE CO., LTD

ADDRESS:NO.31, XINLIU ROAD, XINQIAO TOWN,
LUQIAO DISTRICT, TAIZHOU CITY, ZHEJIANG
PROVINCE, CHINA



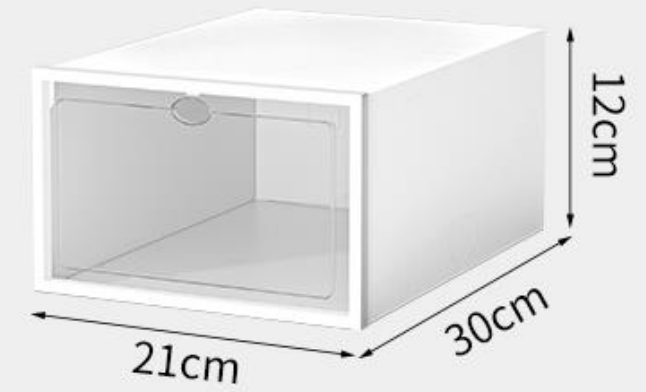
NAME:Cici PHONE: 17857587138
Email: taizhouzhining@163.com

TRANSPARENT FLIP SHOE BOX

ITEM NUMBER:BT-355

MULTIPLE COLORS AVAILABLE

BT-354



BT-355



TAIZHOU ZHINING TRADE CO., LTD

ADDRESS:NO.31, XINLIU ROAD, XINQIAO TOWN,
LUQIAO DISTRICT, TAIZHOU CITY, ZHEJIANG
PROVINCE, CHINA



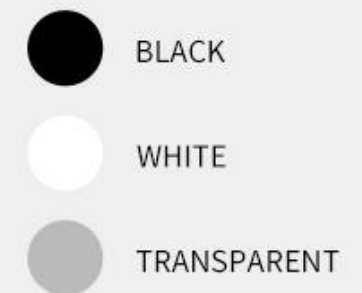
NAME:Cici PHONE: 17857587138
Email: taizhouzhining@163.com

LARGE CAPACITY AJ DISPLAY SHOE BOX

ITEM NUMBER:BT-376

MULTIPLE COLORS AVAILABLE

BT-376



TAIZHOU ZHINING TRADE CO., LTD

ADDRESS:NO.31, XINLIU ROAD, XINQIAO TOWN,
LUQIAO DISTRICT, TAIZHOU CITY, ZHEJIANG
PROVINCE, CHINA



NAME:Cici PHONE: 17857587138
Email: taizhouzhining@163.com

TRANSPARENT FRONT COVER SIDE OPEN SHOE BOX

ITEM NUMBER:BT-377

MULTIPLE COLORS AVAILABLE

BT-377



BT-378



BT-379



TAIZHOU ZHINING TRADE CO., LTD

ADDRESS:NO.31, XINLIU ROAD, XINQIAO TOWN,
LUQIAO DISTRICT, TAIZHOU CITY, ZHEJIANG
PROVINCE, CHINA



NAME:Cici PHONE: 17857587138
Email: taizhouzhining@163.com

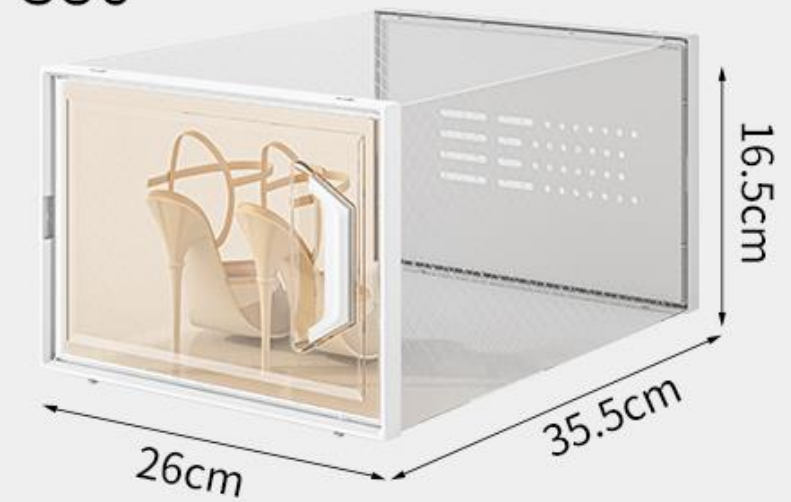
HIGHLY TRANSPARENT BROWNPANEL SHOE BOX

ITEM NUMBER:BT-386



MULTIPLE COLORS AVAILABLE

BT-386



-  BLACK
-  ORANGE
-  BROWN

TAIZHOU ZHINING TRADE CO., LTD

ADDRESS:NO.31, XINLIU ROAD, XINQIAO TOWN,
LUQIAO DISTRICT, TAIZHOU CITY, ZHEJIANG
PROVINCE, CHINA



NAME:Cici PHONE: 17857587138
Email: taizhouzhining@163.com

HIGHLY TRANSPARENT BROWNPANEL SHOE BOX

ITEM NUMBER:BT-387

MULTIPLE COLORS AVAILABLE

BT-387



ORANGE

BROWN

TAIZHOU ZHINING TRADE CO., LTD

ADDRESS:NO.31, XINLIU ROAD, XINQIAO TOWN,
LUQIAO DISTRICT, TAIZHOU CITY, ZHEJIANG
PROVINCE, CHINA



NAME:Cici PHONE: 17857587138
Email: taizhouzhining@163.com

6-SIDED HIGH TRANSPARENT HARDPLASTICSHOE BOX

ITEM NUMBER:BT-381

MULTIPLE COLORS AVAILABLE

BT-381



BT-382



TAIZHOU ZHINING TRADE CO., LTD

ADDRESS:NO.31, XINLIU ROAD, XINQIAO TOWN,
LUQIAO DISTRICT, TAIZHOU CITY, ZHEJIANG
PROVINCE, CHINA



NAME:Cici PHONE: 17857587138
Email: taizhouzhining@163.com

6 SIDES HIGH PENETRATION HARD PLASTIC SHOEBOX

ITEM NUMBER:BT-388



MULTIPLE COLORS AVAILABLE

BT-388



● TRANSPARENT

TAIZHOU ZHINING TRADE CO., LTD

ADDRESS:NO.31, XINLIU ROAD, XINQIAO TOWN,
LUQIAO DISTRICT, TAIZHOU CITY, ZHEJIANG
PROVINCE, CHINA



NAME:Cici PHONE: 17857587138
Email: taizhouzhining@163.com

DOLL STORAGE BUCKET

ITEM NUMBER:BT-501

MULTIPLE COLORS AVAILABLE

BT-501



TAIZHOU ZHINING TRADE CO., LTD

ADDRESS:NO.31, XINLIU ROAD, XINQIAO TOWN,
LUQIAO DISTRICT, TAIZHOU CITY, ZHEJIANG
PROVINCE, CHINA



NAME:Cici PHONE: 17857587138
Email: taizhouzhining@163.com

DOLL STORAGE BUCKET

ITEM NUMBER:BT-502

MULTIPLE COLORS AVAILABLE

BT-502



高度168cm

直径34.5cm



PINK

YELLOW

BLUE

PURPLE

TAIZHOU ZHINING TRADE CO., LTD

ADDRESS:NO.31, XINLIU ROAD, XINQIAO TOWN,
LUQIAO DISTRICT, TAIZHOU CITY, ZHEJIANG
PROVINCE, CHINA



NAME:Cici PHONE: 17857587138
Email: taizhouzhining@163.com